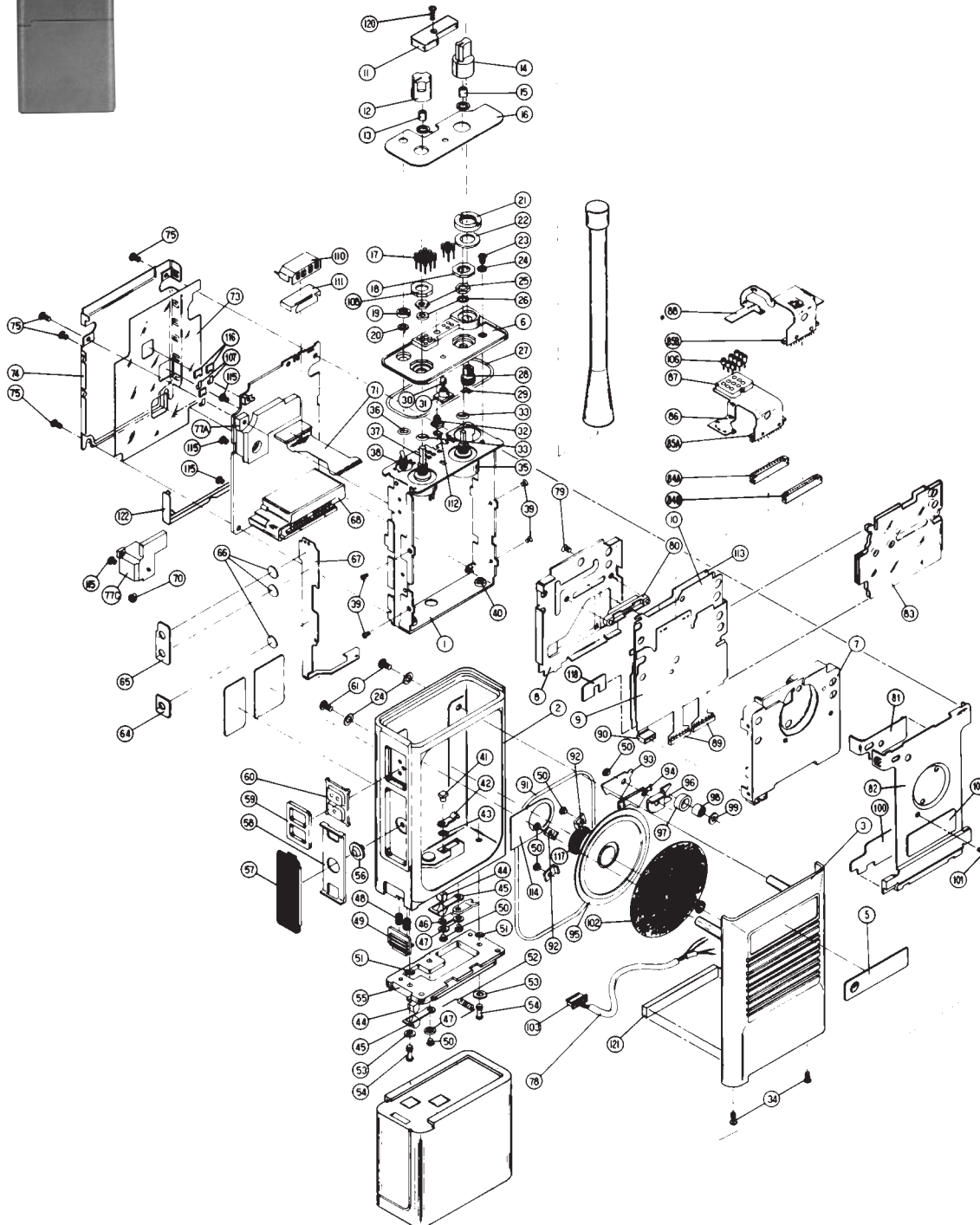




MOTOROLA

HT600 Series

Parts List





MOTOROLA

HT600 Series

Parts List

REF. NO.	PART NO.	DESCRIPTION
1	0105956M63	Assembly, Frame; includes: *Item 1 Frame *Item 40
2	0105955N18	Assembly, Housing; includes: *Item 2 Housing *Items 56, 58, 59, and 60
3	1505527P01	Cover, Front
5	3305543P01	Nameplate, Front
6	0105951N41	Assembly, Top Control Panel; includes: *Item 6 Panel *Items 17, 28, 29, and 32
7	1505185Q01	Carrier, Flex Top
8	2605764R01	Shield, Bottom
9	REX1020A	Assembly, Controller Flex; includes: *Item 9 Controller Flex *Items 10, 80, 84, 89, and 90 (The Controller Flex Assembly also includes electrical parts. See Note)
10	See Note	*Shield, Center; part of item 9
11	0102706J99	Cover, Dust
12	0105951N79	Assembly, Knob; includes: *Item 12 Knob *Item 13
13	4205123Q02	Clip, Push; part of item 12
14	0105950N92	Assembly, Knob; includes: *Item 14 Knob *Item 15
15	See Note	*Clip, Push; part of item 14
16	1305676R01 or 1305676R02	Escutcheon (2-Freq. Radios) Escutcheon (6-Freq. Radios)
17		*Pin, Contact (P7); (not field replaceable, order top control panel assembly 0105951N41)
18	0405218Q01	Washer
19	0205163Q01	Nut, Spanner
20	0405162Q01	Washer, Flat
21	0205765L02	Nut, Spanner
22	0405216L04	Washer, Flat
23	0300136785	Screw, Phillips Hd., 4-40 x 3/16"
24	0484345A06	Washer, Seal
25	0205629L02	Nut, Hex; 2 req'd
26	0405162Q02	Washer, Flat; 2 req'd
27	3205141Q02	Gasket, "O" Ring
28	See Note	*Bushing, Antenna; part of item 6
29	See Note	*Lug, Antenna; part of item 6
30	4805729G24	LED, Bicolor (CR413A/CR413B)
31	3205157Q01	Seal, LED
32	4605159Q01	Stud, Insert; part of item 6
33	3205082E01	Gasket, "O" Ring
34	0300132342	Screw, Phillips; 2-56 x 1/4"

REF. NO.	PART NO.	DESCRIPTION
35	4005148Q05	Switch, Frequency (S2)
36	3205141Q03	Gasket, "O" Ring
37	1805100Q04	Switch/Pot, On-Off/Volume (S1/R140)
38	4005101Q01	Switch, PL (S3)
39	0300140369	Screw, Flat Hd.; 2-56 x 1/8"
40	See Note	*Insert, Frame; part of item 1
41	4605945K05	Contact Stud, Battery
42	3905127Q01	Contact, B+
43	3205082E24	Gasket, "O" Ring
44	0705830C02	Support, Contact
45	3905421C13	Contact, Battery
46	2905124Q01	Lug
47	0400002625	Lockwasher, Split #2
48	4105944K01	Spring, Battery Latch
49	5505536P01	Latch
50	0300139444	Screw, Phillips Hd.; 2-56 x 3/32"
51	3205082E03	Gasket, "O" Ring
52	6505214E05	Fuse (F1)
53	0400009761	Lockwasher, Split #4
54	0305941K01	Screw
55	6405531P02	Plate, Base
56	3805236Q01	*Actuator, PTT part of item 2
57	4505535P01	Lever, PTT
58	4205534P01	*Retainer, PTT part of item 2
59	6405186Q01	*Plate, Actuator Button; part of item 2
60	3805187Q01	*Button, Actuator; part of item 2
61	0305137Q04	Screw, Phillips; 4-40 x 1/2"
64	See Note	*Seal, Dome (PTT); part of item 67
65	See Note	*Seal, Dome, (Mon); part of item 67
66	See Note	*Contact, Snap Dome; part of item 67
67	0105951N40	Assembly, B+ PTT Flex; includes: *Item 67 Flex *Items 64, 65, and 66
68	1505533P01	Housing, VCO
70	1300139939	Screw, Flat Hd.; 2-56 x 3/32"
74	2605775R02	Shield, Main Back
75	0300136772	Screw, Phillips Hd.; 2-56 x 3/16"
76	----	Not used
77B	----	Not used
77C	2605578P02	Heatsink (Low Power Models)
78	See Note	*Tubing, Heat Shrink; part of item 98
79	0300138620	Screw, Phillips; 2-56 x 3/16"
80	See Note	*Header, part of item 9
81	1405753R01	Insulator, Front Shield
82	2605711R03	Shield Front
83	1405264Q01	Insulator, Flex
84A	See Note	*Jack (J2), part of item 9
84B	See Note	*Jack (J1), part of item 9

REF. NO.	PART NO.	DESCRIPTION
85A	See Note	*Jack (P2), part of item 86
85B	See Note	*Jack (P1), part of item 88
86	REX1074A	Assembly, Volume Pot Flex; includes: *Item 86 Volume Pot Flex *Items 85A and 106
88	0105956M68	Assembly, Frequency Switch Flex; includes: *Item 88 Frequency Switch Flex *Item 85B
89A	See Note	*Jack (J3), part of item 9
89B	See Note	*Jack (J4), part of item 9
90	See Note	*Jack (J5), part of item 9
91	3205141Q01	Gasket, "O" Ring
92	4205140Q01	Clamp, Speaker
93	1405135P01	Insulator, Microphone
94	See Note	*Flex, Microphone; part of item 98
95	5005155Q03	Speaker (LS1)
96	4205139Q01	Retainer, Microphone
97	See Note	*Boot, Microphone; part of item 98
98	0105956M62	Assembly, Microphone; includes: *Item 98 Microphone *Items 78, 94, 97, 98, and 103
99	7505582P01	Pad, Microphone Boot
101	0300138620	Screw, Flat Phillips Hd.; 2-56 x 3/16"
102	3505143Q04	Felt, Speaker
103	See Note	*Plug (P5), part of item 98
105	----	Not used
106	See Note	*Sockets (J7), part of item 86
107	3905509R02	Contact, 3 req'd
108	0405534R01	Washer, Flat
109	540_244J06	Label, Instruction
110	2605494R01	Shield, I-F
111	1405496R01	Insulator, I-F Shield
112	3905130N01	Contact Strip
113	2605573S01	Shield
114	1405299Q01	Insulator, Speaker
115	0300136771	Screw, Phillips; 2-56 x 3/16"
117	7505501R02	Pad, Speaker
118	2605762R01	Shield, Controller Flex
120	0305103S01	Screw, Captive
121	7505501R03	Pad, Front Cover
122	2605123S01	Shield, Back

NOTE: *Not field replaceable, order parent Assembly.



MOTOROLA

HT600 Series

Portable Accessories

CHARGERS

Rapid/Regular Rate Desktop Chargers

A variety of chargers are available to fit the charging capabilities of your batteries. Choose rapid or regular rate, single unit chargers. The rapid chargers are equipped with red and green lights to indicate rapid charging or charge complete. All desktop units will accept any of the three battery sizes, with or without radio attached.

NTN4636A
Desktop, Regular Charge Rate, 220V, 50-60 Hz, (supplied with 2 prong plug)

NTN4633C
Desktop, Rapid Charge Rate, 117V



NTN4633C

NTN4634B Desktop, Rapid Charge Rate, 220V, 50-60 Hz, (supplied with 2 prong plug)

Compact Chargers

The compact charger provides a 16 hour charge rate. The charger's small size and weight make it ideal for users who occasionally charge their radio at home.

NTN4666B Compact, Regular Charge Rate, 117V

NTN4667A Compact, Regular Charge Rate, 220V, 50-60 Hz, (supplied with 2 prong plug)



NTN4666B

NTN4635B Desktop, Regular Charge Rate, 117V

CHARGERS

Multi-Unit Chargers

NTN4668B Multi Unit Desktop, Rapid Rate, 117V AC, 50-60 Hz



NTN4668B

NTN4922B Multi-Unit 220V, Rapid Rate



NLN7967A

NLN7967A Wall Mount for 6 Unit Charger

Vehicular Chargers

NTN5438A* 12V DC, Vehicular Charger (16 hour charge rate) PAC-RT compatible

NKN6428A 12V Cable Kit. (Only required if not used with a PAC-RT/mobile system)

NTN5368A RF Adapter (Utilizes universal connector, incompatible with audio accessories)



NTN5368A

NKN6408A RF Cable Kit (Does not include antenna)



NKN6408A

*Not compatible with Kits NKN6149A, NKN6150A and NKN6151A.



MOTOROLA

HT600 Series

Portable Accessories

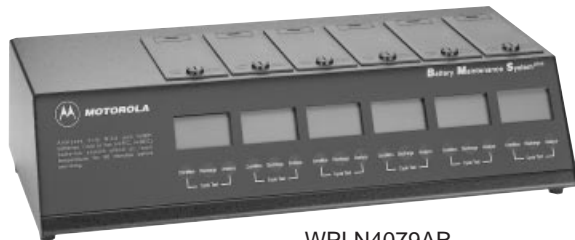
BATTERY MAINTENANCE SYSTEM^{PLUS} (BMS Plus)

Using interchangeable battery adapters (sold separately), the BMS Plus is capable of charging and discharging, analyzing, conditioning and cycle test on batteries; tracking battery voltage and capacity (mAh).

The BMS Plus offers a 3 year warranty. Its easy-to-use design supports hundreds of 2-way, cellular, and camcorder batteries with printer port* (Serial-RS-232C port – uses female 9-pin to male 25-pin cable).

WPLN4079AR Six Station, 110V AC, 50/60 Hz

WPLN4080AR Six Station, 230V AC, 50/60 Hz



WPLN4079AR

Adapter

TDN9441A Standard Adapter, HT600

BATTERY OPTIMIZING SYSTEM (BOS)

The Battery Optimizing System accommodates NiCD, NiMH, Li-Ion, and SLA. Four independent stations for simultaneous service of 4 batteries. Reads battery capacity in percentage of nominal rating; verifies voltage; measures battery temperature and displays battery impedance in milliohms. (Adapter sold separately).



WPLN4071AR 4 Station, 110V AC, 50/60 Hz

WPLN4071AR

WPLN4073AR 4 Station, 230V AC, 50/60 Hz

Adapters

RL-71173 Standard Adapter, HT600

*Compatible with the STAR Micronics SP200 series printers, available from any STAR Micronics distributor, and other printers with STAR emulation.

MOTOROLA CONDITIONING CHARGER (MCC)

The MCC will help extend battery life and enhance battery operation. It will safely condition and charge your specified Nickel Cadmium (NiCD) and Nickel Metal Hydride (NiMH) batteries in approximately an hour.

WPPN4009AR 110V AC Base Charge Unit with Adapter Plate

WPPN4010AR 220V AC Base Charge Unit with Adapter Plate

3080384G15 Cigarette Lighter Adapter Cord

MCC Multi-Unit Conditioning Chargers

WPPN4074AR Four-station, 110V with permanent adapter plates

WPPN4075AR Four-station, 220V with permanent adapter plates

BATTERY DISCHARGE TESTER

Tester determines a battery's delivered capacity by discharging a fully charged battery. 'LED' indicates cycle status by turning "ON" when fully charged battery is placed in adapter and "OFF" when discharge is complete. Plug-in adapters allow one console to discharge most batteries. No AC power source required (console is powered by discharging battery).



RLN4201B

RLN4201B Single Unit Battery Discharge Tester, Requires Battery Adapter or Cable/Clip

Lead

RLN4047A Battery Adapter, HT 600

RKN4038A Cable/Clip Lead, 10V



MOTOROLA

HT600 Series

Portable Accessories

BATTERY ELIMINATOR

The Battery Eliminator saves battery life by drawing power from the vehicle's battery while providing overvoltage protection. Use by sliding eliminator onto radio in place of battery and plugging adapter into cigarette lighter.



RLN4265A

RLN4265A Battery Eliminator, Coil Cord, Cigarette Lighter Adapter

CARRYING ACCESSORIES

Carrying Cases

A variety of carrying accessories are available for your comfort and convenience. The carrying cases are made of top quality leather and are available in sizes designed to fit your radio and battery. Cases are available with standard belt loop or swivel back covers, with a restraining T-strap.



NTN5460B

Standard

NTN5460B Leather Carry Case with T-Strap and Spacer, for High or Medium Capacity Battery (Snap)

Swivel

NTN5461B Leather Carry Case with T-Strap, Spacer and 2½" Belt Loop, for High or Medium Capacity Battery (Snap)

NTN5883A Leather Carry Case with T-strap, Spacer, and Belt Loop, for High or Medium Capacity Battery (Snap), fits 3" Belt

NTN5450B Leather DTMF Swivel Carry Case, Long (Snap), fits 2¼" Belt

NTN5884A Leather DTMF Carry Case, Long (Snap), fits 3" Belt

CARRYING ACCESSORIES

Belt Loops

4282421J06 Swivel Belt Loop, 2½"

4205857B01 Swivel Belt Loop, 2"



4282421J06



NTN4813B

Belt Clip

NTN4813B Belt Clip, 1½"

NTN5389B Belt Clip, 2¼"

NTN5602A Public Safety Full 3" Clip, Black Aluminum



NTN4814C

Belt Clip Carry Holder

NTN4814C Belt Clip Carry Holder, fits 2¼" Belt

NTN5827A Belt Clip Carry Holder, fits 3" Belt

Portable Radio Hanger

The portable radio hanger slides over and hangs from the door panel in a vehicle. The radio's belt clip slides onto the portable hanger allowing convenient, easy mounting. Two sizes are available to fit door panels.

TDN9327A Portable Radio Hanger, for Door Panels up to 2¾"

TDN9373A Portable Radio Hanger, for Door Panels 2¾" to 3¼"



TDN9327A



MOTOROLA

HT600 Series

Portable Accessories

CARRYING ACCESSORIES



NTN5243A

Carrying Strap

NTN5243A Carrying Strap, Black

Belt

4200865599 2" Wide Leather Belt, for all models



4200865599



4205386S01

T-Straps

4205386S03 T-strap, Nylon for Leather Carrying Cases (Snap)

4205386S01 T-Strap, Nylon for Leather Carrying Cases (Velcro)

4205447R03 T-Strap, Urethane, for Carry Holder (Snap)



4205447R03

Spacer

Enables light capacity battery to fit in a small case and medium capacity battery to fit in a medium case. Spacer is included in every carry case.

4305525R02 Spacer (spare)

Button Back Cover

NTN5497A T-Bar Button Back Cover Kit, Black (order swivel belt loop separately)



NTN5497A

CARRYING ACCESSORIES

Universal Carry Accessories

HLN6602A Universal Chest Pack with Radio Holder, Pen Holder and Velcro Secured Pocket



HLN6602A

RLN4815A Universal RadioPAK™ with Radio Holder. Worn around waist with adjustable belt.

Includes attached 6" by 8" zippered pouch for other job necessities

4280384F89 Universal RadioPAK™ belt lengthener; fits waists larger than 40"

AUDIO ACCESSORIES

Remote Speaker Microphone



NMN6156B

This speaker microphone provides remote talk and listen capability. By attaching the microphone to the universal connector, you can use the remote speaker microphone to transmit or receive while the radio remains comfortably on the belt in the case.

NMN6145B Remote Speaker Microphone with Clip, Coil Cord and 2.5 mm Earphone Jack

NMN6156B Remote Speaker/ Microphone with Clip and Coil Cord

NTN5493A UHF Public Safety Remote Speaker Microphone with Clip Back and Straight Cord (Order required antenna separately)



MOTOROLA

HT600 Series

Portable Accessories

AUDIO ACCESSORIES

NTN5050A UHF Public Safety Speaker Microphone with velcro back and straight cord (order antenna and velcro patch separately)

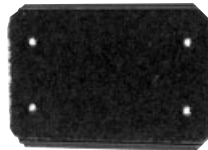
Antennas for Public Safety Microphones

8505355K03400-440 MHz

8505355K04440-470 MHz

8505309N11470-512 MHz

NLN8410A Velcro pin attachment



NLN8410A

Ear Piece

5083693B01 Earphone and volume control (requires NTN4812B)

5083693B04 Earpiece and Volume Control (2.5 mm)

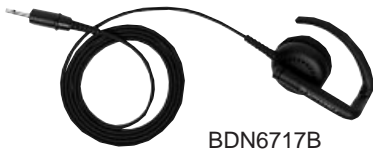
5880378B84 2.5 to 3.5 Jack Adapter

5880380B35 3.5 to 2.5 Jack Adapter

NTN4812B Earphone Jack Adapter

Ear Receiver

BDN6717B Ear receiver with 3.5 mm plug, to be used with adapter NTN4812



BDN6717B

Surveillance

ZMN6031A Three wire surveillance accessory with earpiece, microphone and push-to-talk as separate pieces. Factory Mutual Approved. Requires NTN5075B

ZMN6032A Two wire surveillance accessory with earpiece, microphone and push-to-talk. Microphone and PTT are combined.

Factory Mutual Approved. Requires NTN5075B

NTN5075B Hirose Adapter for Two-and Three-Wire Surveillance Accessories.



ZMN6031A

AUDIO ACCESSORIES

Epaulet Strap

Black leather epaulet straps secure remote speaker microphones to epaulet of shirts or jackets and attach around cord. Allows reliable communications in hostile environments with Velcro or clip style strap.

RLN4294A Epaulet Strap, Velcro



RLN4294A

RLN4295A Epaulet Strap, Small Clip



RLN4295A

Ear Mikes

Single unit microphone and speaker worn in the ear. Eliminates the need for handheld microphones or conventional headsets. Compact, rugged design allows use under hearing protectors and protective clothing. Order cable separately.

RMN4001B Ear Mike, EM200



RMN4001B

0180359A39 Interface Cable for HT600

0180359A51 Optional PTT Ring Switch for RMN4001A only

0180356B97 Optional PTT Ring Switch for RMN4001B Only



0180359A51



MOTOROLA

HT600 Series

Portable Accessories

AUDIO ACCESSORIES

Ear Microphone System

This compact unit picks up the voice through bone vibrations in the ear canal. Ideal for use in high noise environments. Available in PTT or Voice activated (VOX) capabilities for total hands free communications. Order Interface Module separately.



BDN6677A

BDN6677A* Ear Microphone for Standard Noise Levels (up to 95 db), Black

BDN6678A* Ear Microphone for Standard Noise Levels (up to 95 db), Beige

BDN6641A* Ear Microphone for High Noise Levels (up to 105 db), Grey



BDN6657B

(shown with BDN6677A)

Interface Modules

BDN6656B* Push To-Talk Interface Module

BDN6657B* Voice-Activated Interface Module

Optional Accessories

0180300E25 Earguard with Adjustable Loop

0180358B38* Remote Push-To-Talk Ring Switch



0180358B38

0180358B32 Earholders, Black, Size Small; Secures microphone in ear

0180358B33 Earholder, Black, Size Medium; Secures microphone in ear

0180358B34 Earholder, Black, Size Large; Secures microphone in ear

0180358B35 Earholder, Clear, Size Small; Secures microphone in ear

0180358B36 Earholder, Clear, Size Medium; Secures microphone in ear

0180358B37 Earholder, Clear, Size Large; Secures microphone in ear



0180358B33

4280369E44 Replaceable Belt Clip with Screws

5080358B28 Eartips, Black, Size Medium (10 per pack)

5080358B29 Eartips, Black, Size Large (10 per pack)

5080358B30 Eartips, Beige, Size Medium (10 per pack)

5080358B31 Eartips, Beige, Size Large (10 per pack)

AUDIO ACCESSORIES

Headsets

High noise level headset (up to 125 dB) with noise cancelling microphone and push-to-talk switch located on ear cup. Vox module contained within headset on voice activated units. Factory Mutual Approved. NOTE: Can be worn with or without hard hat or fire helmet.



BDN6645A

BDN6639A Radio Adapter Cable for BDN6635, BDN6636 and BDN6645

BDN6645A Push-To-Talk Headset with Boom Microphone, Requires Adapter Cable.

BDN6635B Voice-Activated Headset with Boom Microphone, Requires Adapter Cable, Includes 110V Charger



BDN6636B

BDN6636B Voice-Activated Headset with Throat Microphone, Requires Adapter Cable, Includes 110V Charger

RMN4015A Lightweight Headset with Swivel Boom Microphone, single speaker and in-line PTT

0180357B05 Spare Vox Headset Charger

6881126E79 Instruction Manual for BDN6645A

6881126E78 Instruction Manual for BDN6635B and BDN6636B

*Factory Mutual approved



MOTOROLA

HT600 Series

Accessories, Antennas

VEHICULAR ADAPTER

The Basic MVA console kits may be ordered separately. These items allow use of the portable radio in a mobile application. Order antenna separately.



NTN5612A

NTN5612A Basic MVA console, includes Power Cables and Mounting Hardware.



NSN6054A

NSN6054A 12-watt External Speaker

HMN1035C Microphone, Heavy-Duty Palm

HMN1056D Microphone, Compact Palm

HMN3013A Microphone, DTMF



HMN1056D

PORTABLE ANTENNAS

Heliflex Antenna

Motorola Heliflex antennas are specifically engineered for maximum output and greatest communication coverage.

8505816K01
Heliflex Molded, 136-150.8 MHz, 6.5"

8505816K03
Heliflex Molded, 150.8-162 MHz, 6"

8505816K05
Heliflex Molded, 162-174 MHz, 6"

8505816K07
Heliflex Molded, 403-433 MHz, 3"

8505816K08
Heliflex Molded, 450-470 MHz, 3"

8505816K09
Heliflex Molded, 470-512 MHz, 3"



8505816K05



8505816K09

Flexible Whip

Flexible Whip antennas have a one-piece finish and steel core for optimal radiation characteristics. Provides more comfort when radio is worn on the belt.

8505247K06
Flexible Whip, 403-512 MHz, 5.5"



8505247K06



MOTOROLA

HT600 Series

Batteries, Tools

PORTABLE BATTERIES

Nickel-Cadmium



NTN5414BR

Part Number: **NTN4564B**
Charge: Rapid
Volts: 10V
Avg. MAH: 550
Height: 2⁷/₁₆"
FM Rating: IS

Part Number: **NTN4584BR**
Charge: Rapid
Volts: 10V
Avg. MAH: 630
Height: 2⁷/₁₆"
FM Rating: NI

Part Number: **NTN5414BR**
Charge: Rapid
Volts: 10V
Avg. MAH: 1100
Height: 3⁵/₁₆"
FM Rating: NI



NTN4564B

Part Number: **NTN5415B***
Charge: Rapid
Volts: 10V
Avg. MAH: 1000
Height: 3⁵/₁₆"
FM Rating: IS

Nickel Metal Hydride



NTN7016A

Part Number: **NTN7016A**
Charge: Rapid
Volts: 10V
Avg. MAH: 950
Height: 2⁷/₁₆"
FM Rating: (NA)

ALIGNMENT TOOL

6605106N01 Tuning Tool, Adjusts Tunable Coils, Preselector, Reference Oscillator Frequency and Trimmer Capacitors



6605106N01

SERVICE TOOLS



RSX4043A

RSX4043A Torque Screwdriver, Order Bits Separately

6680371B34

6680321B86

6680321B86 #0 Phillips Bit for Radio Screws

6680321B79 #1 Phillips Power Bit for Radio Screws

6680370B95 Spanner Tool Bit for Toggle Switch Nut

6680371B34 Spanner Bit for Antenna Bushing

6680371B03 Nut Driver Bit for Volume Control and Frequency Select Switch

*Factory Mutual approved for Intrinsically Safe Models



MOTOROLA

HT600 Series Service Aids

SERVICE AIDS

Battery Eliminator

The Battery Eliminator acts like a battery with a cable to access a DC external power supply. It is ideal to inspect transmitters and receivers on incoming radios. Reverse supply polarity protection and input fuse protection are provided.



RTL4226B Battery Eliminator

RTL4226B

Battery Adapter

Replaces radio housing during servicing and provides easy mounting for battery eliminator, RTL4226B.



1580368B62 Battery Adapter

1580368B62

Cloning Cable

Enables the frequencies, squelch codes, squelch and deviation settings to be duplicated from one radio to another. Only identical models and sub-models are compatible for cloning.



NKN6376A

NKN6376A
Cloning Cable

Antenna Adapters

NTN5368A Adapter for HT600

NKN6408A Cable Adapter for HT600

SERVICE AIDS

Radio Test and Programming Cable

Used with Portable Radio Test Set, RTX4005, for transmitter, receiver alignment and performance checks. Also used in programming radio.



RTK4205C

RTK4205C Test and Programming Cable

Radio Interface Box

Links radio programming cable and computer interface together. Provides required voltage shift to enable communications between radio and computer. Requires computer interface cable, radio test and programming cable, and a 9 volt snap type battery (6082728J01), order separately.



RLN4008B

RLN4008B Radio Interface Box

Computer Interface Cable

Used to connect computer's serial adapter to radio interface box.

3080369B71 Cable, RIB to 25 pin D

3080369B72 Cable, RIB to 9 pin D



3080369B71

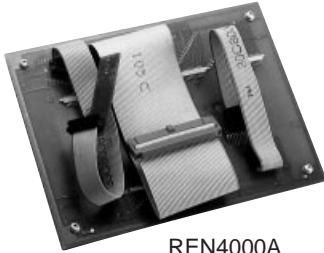


MOTOROLA

HT600 Series

Service Aids, Manuals

SERVICE AIDS



REN4000A

Controller Flex Extender

Allows access to all electrical points on the controller flex and the interior of the RF board for troubleshooting purposes.

REN4000A Controller Flex Extender

Wall Mounted Power Supply

Used to supply power to the radio interface box, RLN4008B

0180357A57 Wall Mounted Power Supply, 110 Volts

0180358A56 Wall Mounted Power Supply, 220 Volts



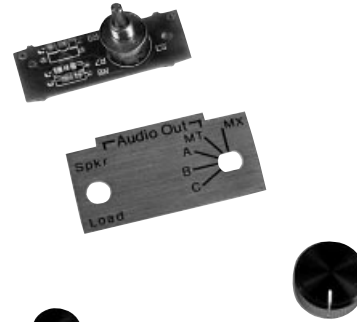
0180357A57

SERVICE AIDS

Field Modification Kit

Allows for quick field modification of RTX4005 "A" test sets to provide operation with the HT600 Radio.

RPX4665A Field Modification, RTX4005A



RPX4665A

Programming Aid

Enables programming of the DTMF pad from outside of HT600 DTMF optioned radios.

0180358A59 Programming Aid

Programming Software

Utilizing your personal computer, this software enables you to add or reprogram frequencies as your requirements change. Compatible with IBM, XT, AT, Model 30 50, 60 and 80. Requires Radio Interface Box and proper cables, order separately.

RVN4005G Programming Software, 3½" diskettes (includes manual and software box)

SERVICE MANUALS

6881065C75 Service Manual